

Correction to Synthesis and Characterization of Glycoconjugated Porphyrin Triphenylamine Hybrids for Targeted Two-Photon Photodynamic Therapy

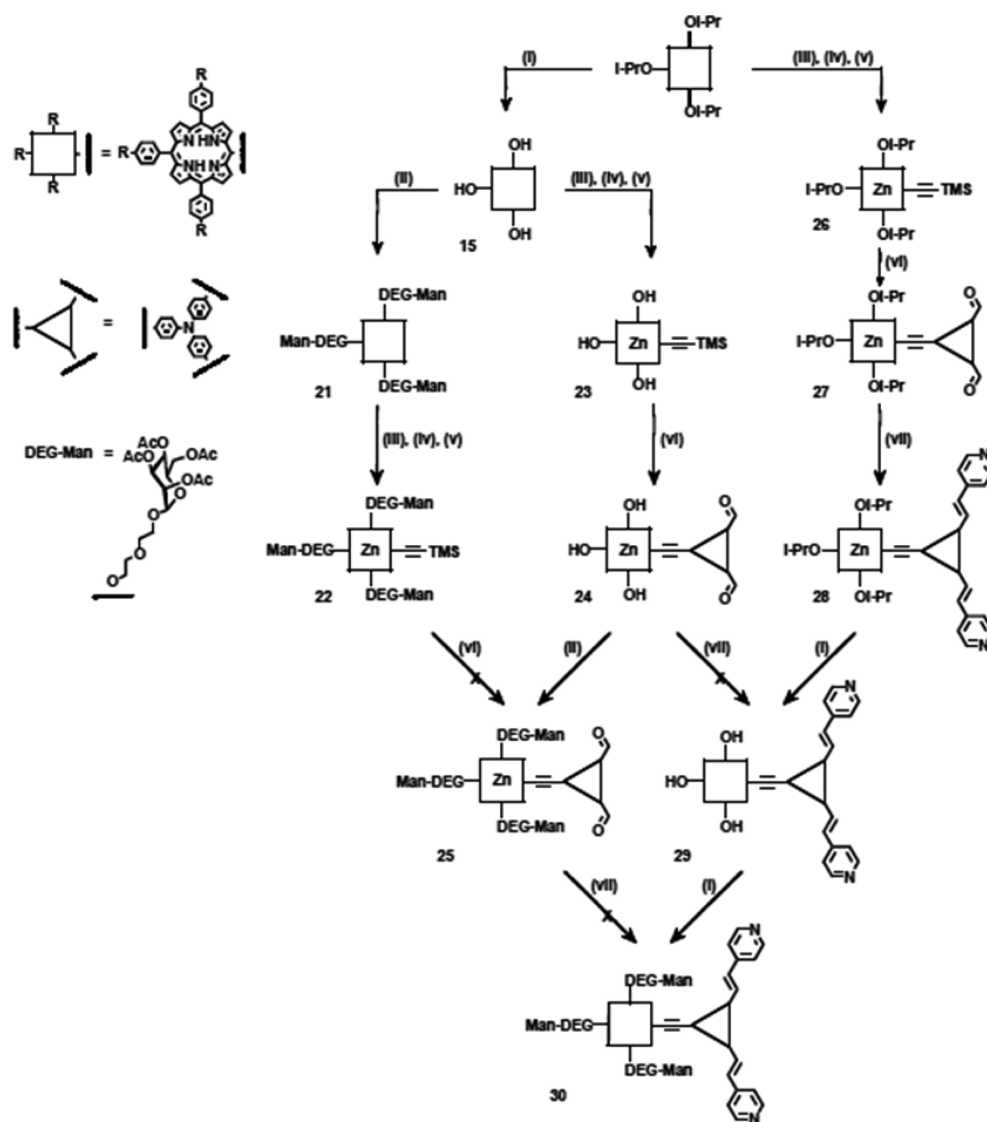
Fabien Hammerer, Guillaume Garcia, Su Chen, Florent Poyer, Sylvain Achelle, Céline Fiorini-Debuisschert, Marie-Paule Teulade-Fichou, and Philippe Maillard*

J. Org. Chem. **2014**, *79* (3), 1406–1417. DOI:10.1021/jo402658h

In Scheme 4 and the Abstract/TOC graphic, the correct D-(+) configuration of the mannosyl groups was corrected.

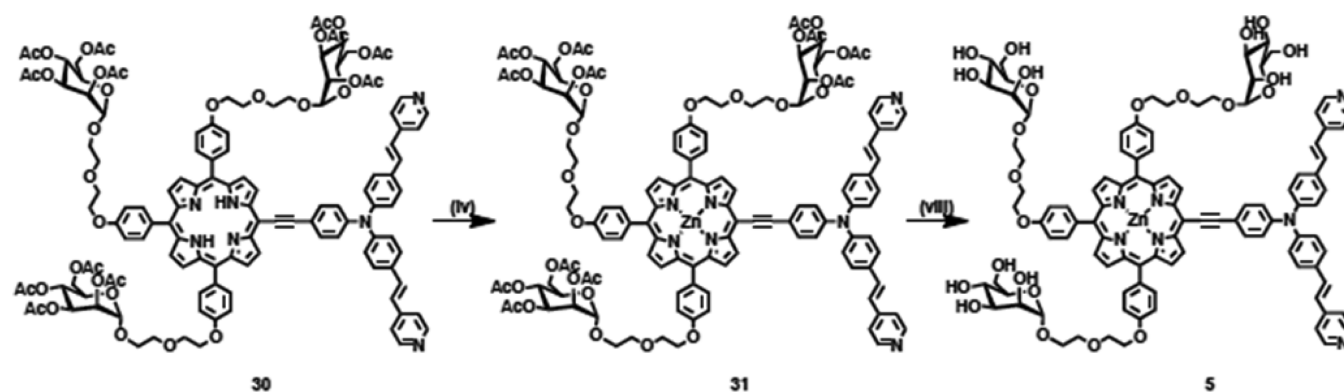
Page 1410: Correct Scheme 4:

Scheme 4. Synthesis of Compound 5

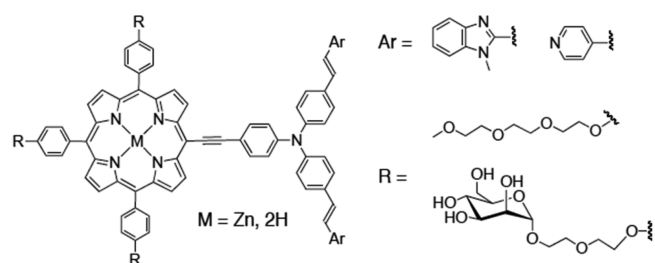


Published: February 19, 2014

Scheme 4. continued



Page 1406: Correct TOC graphic:



Page 1416. Change the email address to: philippe.maillard@curie.u-psud.fr.